



INSTALLATION MANUAL

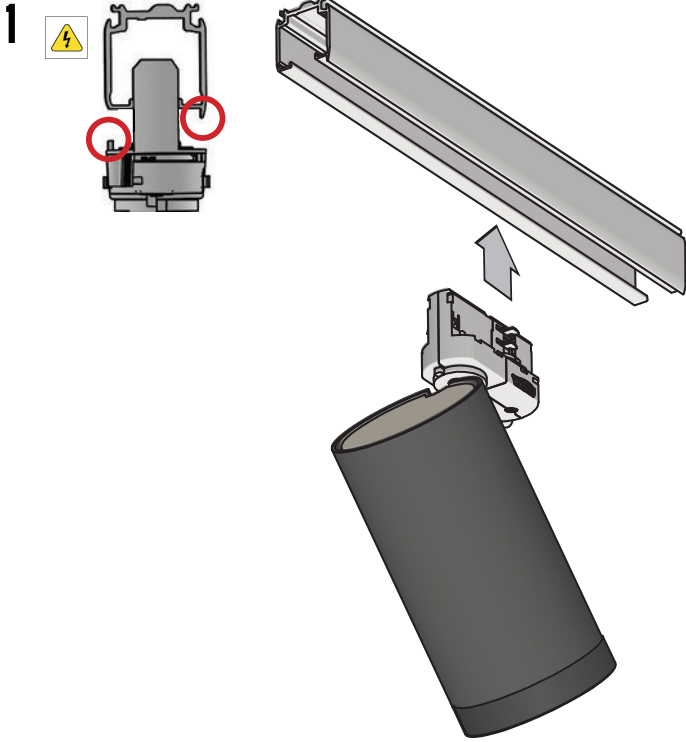


3-phase luminaires

IP20



For additional functionality, please consult the datasheet related to your luminaire.



IMPORTANT NOTICE

To ensure safety and correct operation, please follow these guidelines during installation and use. Compliance with these instructions is strongly recommended.

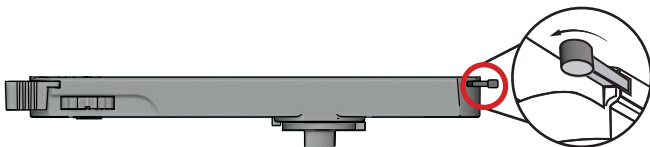
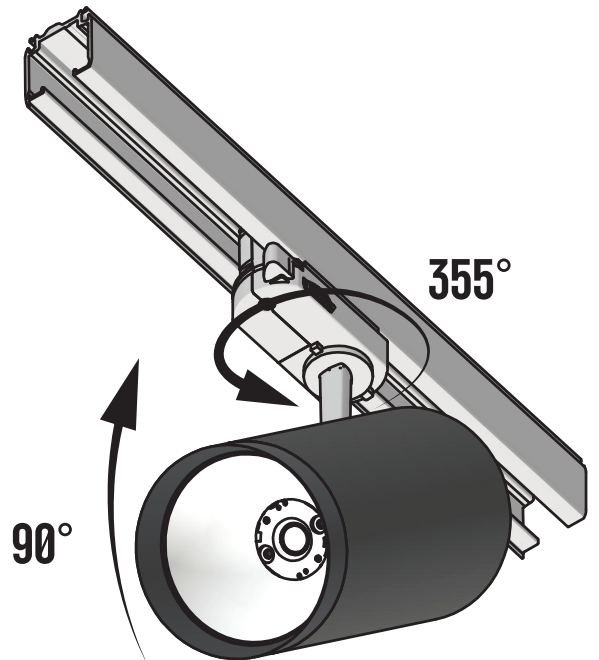
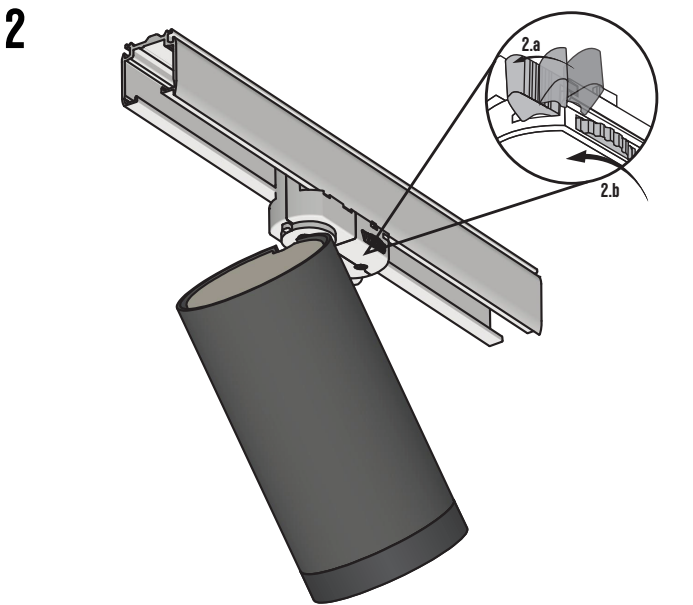
SAFETY WARNING

Before starting installation, or carrying out any maintenance, always disconnect the luminaire from the power supply. Do not attempt to alter or tamper with the product in any way. Unauthorised modifications may compromise safety and create hazardous situations. Light4U is not liable for any damages or risks resulting from modified products. This product is intended exclusively for indoor use.

CARE & CLEANING TIPS

To clean the luminaire, gently wipe it with a soft cloth dampened with water. For stubborn dirt, use a small amount of mild soap or detergent. Do not use alcohol, solvents, or harsh chemicals, as these may damage the surface or components.

Dispose of luminaires separately from household waste in accordance with the WEEE Directive.



FOR DALI LUMINAIRES, ENGAGE THE SEPARATE DALI-LEVER.



TO UNINSTALL LUMINAIRE, FOLLOW THE ABOVE INSTRUCTIONS IN REVERSE.

www.light4u.com

Designed and assembled in the Netherlands.



Visit light4u.com