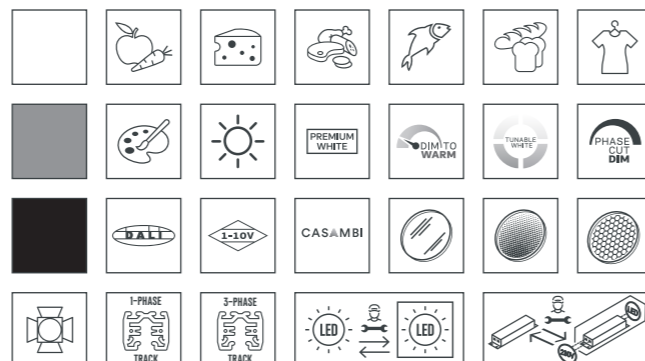
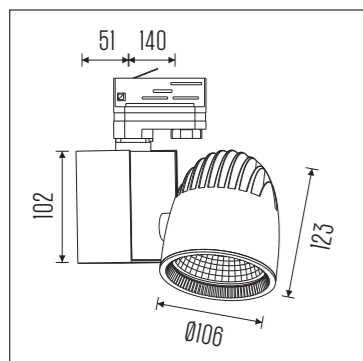


# THOR.

The Thor is the basis for endless possibilities in illumination. A powerful and strong track spotlight with extensive control options. Select the light colours, light control system and accessories you need to create the right conditions for your office, showroom or retail establishment.



TRACK LUMINAIRES



Adjustability	: 350° rotational and 90° tiltable	Optic	: Facet Anodized Aluminum Reflector
CCT [K]	: 2700K - 5700K		: 15°, 30°, 45°, 60°
CRI [Ra]	: max. [RA] >98	Mains Voltage [VAc]	: 220-240V / 50-60Hz
Chromaticity Tolerance	: 3	Ambient Temperature [°C]	: 35°C
Luminous Flux [lm]	: max. 4500lm	Ingress Protection [IP]	: IP20
System Power [W]	: max. 38.5W	Net Weight [kg]	: 0.96kg
System Efficiency [lm/W]	: max. 137lm/W	Warranty [Y]	: 5 years
Electrical Safety Class	: Class I		

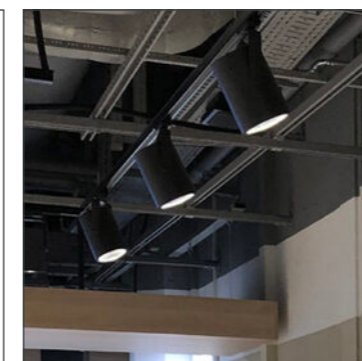
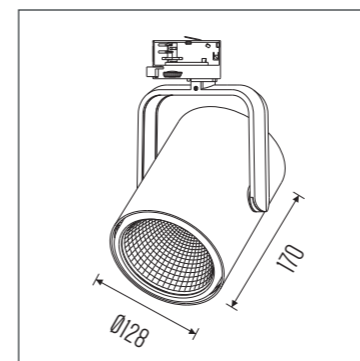


# BURI.

This robust, industrial track spot has a wide range of applications. It gives you the option to use it at different installation heights or even directly on the wall with the fix point GA 70. This makes the Buri perfect for use in stores, showrooms, supermarkets, petrol stations and banks.



TRACK LUMINAIRES



Adjustability	: 350° rotational and 90° tiltable	Optic	: Facet Anodized Aluminum Reflector
CCT [K]	: 2700K - 5700K		: 15°, 30°, 45°, 60°
CRI [Ra]	: max. [RA] >98	Mains Voltage [VAc]	: 220-240V / 50-60Hz
Chromaticity Tolerance	: 3	Ambient Temperature [°C]	: 35°C
Luminous Flux [lm]	: max. 4500lm	Ingress Protection [IP]	: IP20
System Power [W]	: max. 38.5W	Net Weight [kg]	: 1.80kg
System Efficiency [lm/W]	: max. 137lm/W	Warranty [Y]	: 5 years
Electrical Safety Class	: Class I		

