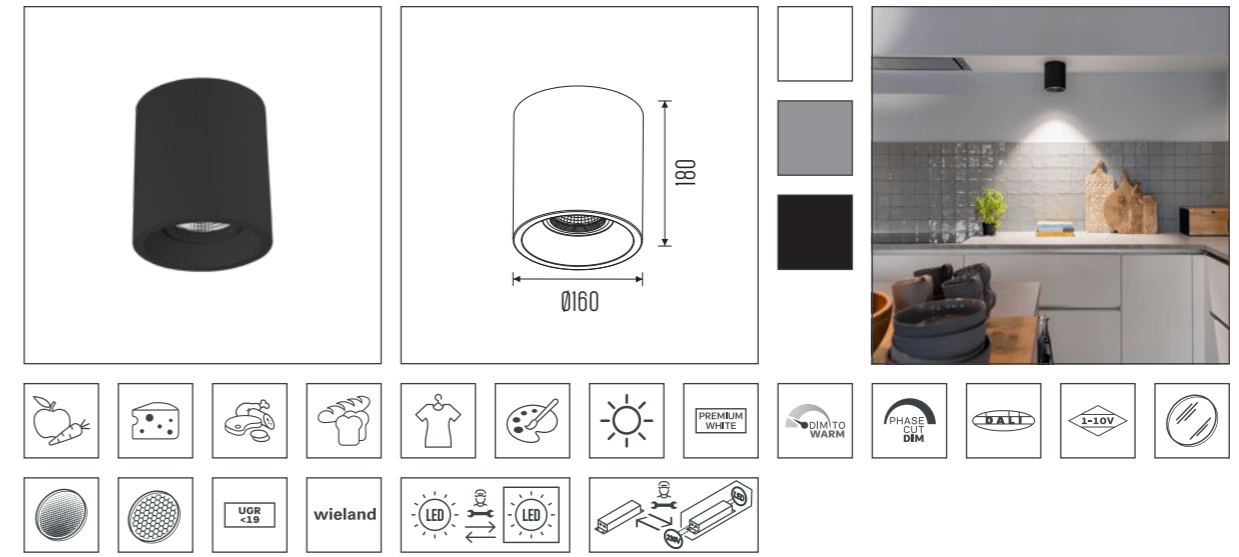


# SKADI SM.



## SKADI 160 SM.

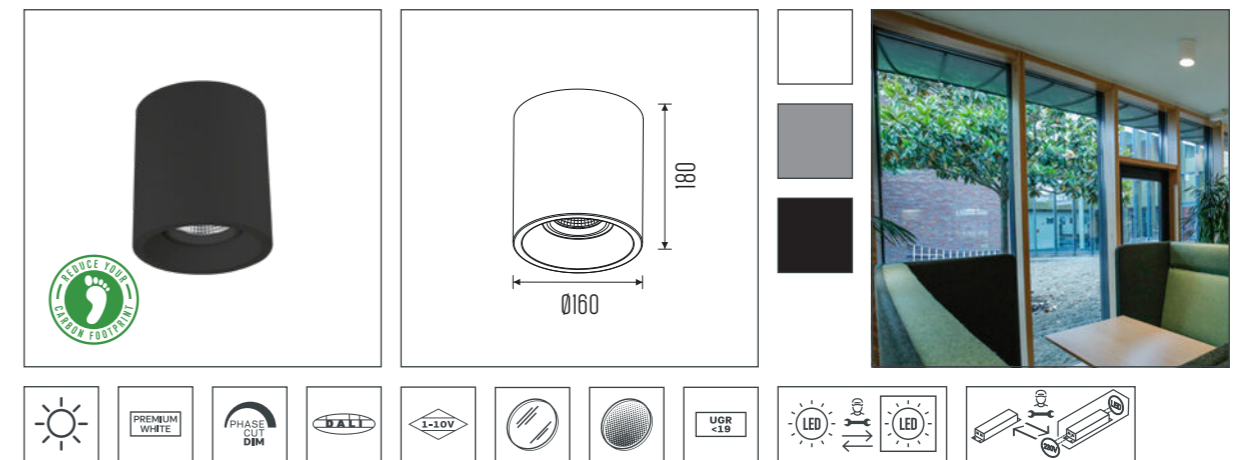


CCT [K]	: 2700K - 5700K	Optic	: Facet Anodized Aluminum Reflector 15°, 30°, 45°, 55°
CRI [Ra]	: max. [RA] >98	Mains Voltage [VAc]	: 220-240V / 50-60Hz
Chromaticity Tolerance	: 3	Ambient Temperature [°C]	: 35°C
Luminous Flux [lm]	: max. 2500lm	Ingress Protection [IP]	: IP20
System Power [W]	: max. 18.5W	Net Weight [kg]	: 1.20kg
System Efficiency [lm/W]	: max. 137lm/W	Warranty [Y]	: 5 years
Electrical Safety Class	: Class I		

Go to full specs



## SKADI 160 SM HE.



CCT [K]	: 2700K, 3000K, 3500K, 4000K, 3000K PW, 3500K PW, 4000K PW	Optic	: Facet Metalized Reflector 15°, 25°, 45°, 60°
CRI [Ra]	: max. [RA] >98	Mains Voltage [VAc]	: 220-240V / 50-60Hz
Chromaticity Tolerance	: 2	Ambient Temperature [°C]	: 35°C
Luminous Flux [lm]	: max. 2900lm	Ingress Protection [IP]	: IP20
System Power [W]	: max. 19 W	Net Weight [kg]	: 1.20kg
System Efficiency [lm/W]	: max. 157lm/W	Warranty [Y]	: 5 years
Electrical Safety Class	: Class II		

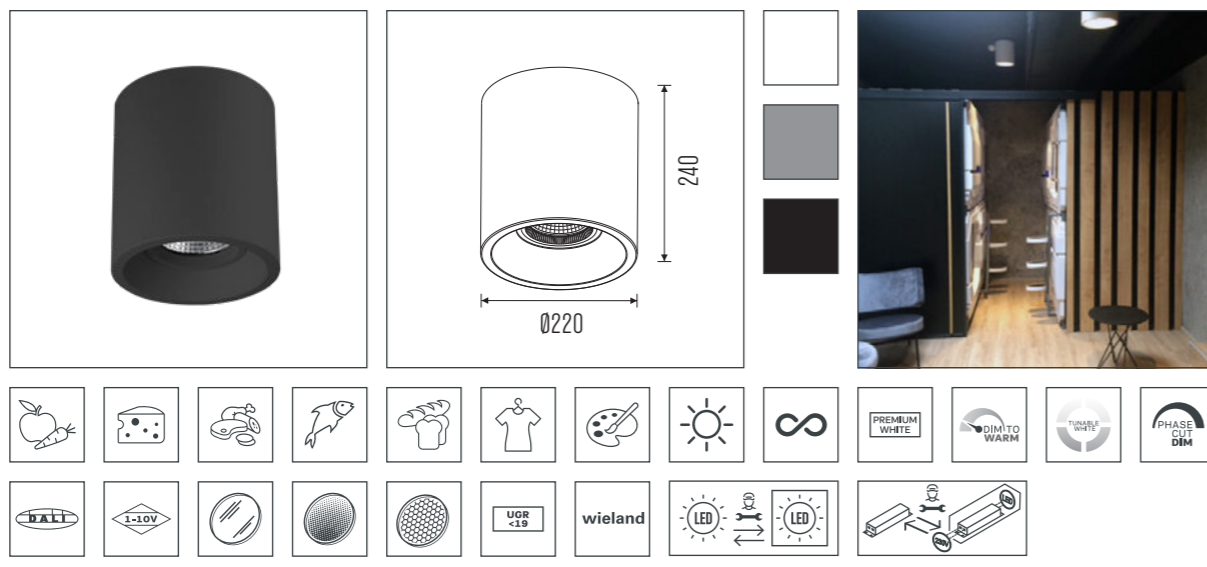
Go to full specs



## STANDING OUT IN EVERY WAY.

If a ceiling is not suitable for recessed installation, it's time for Skadi SM. The surfaced version is a great solution for each concrete ceiling, and is often chosen for the illumination of corridors or in-between spaces. Combine Skadi SM with the track and suspended version.

## SKADI 220 SM.

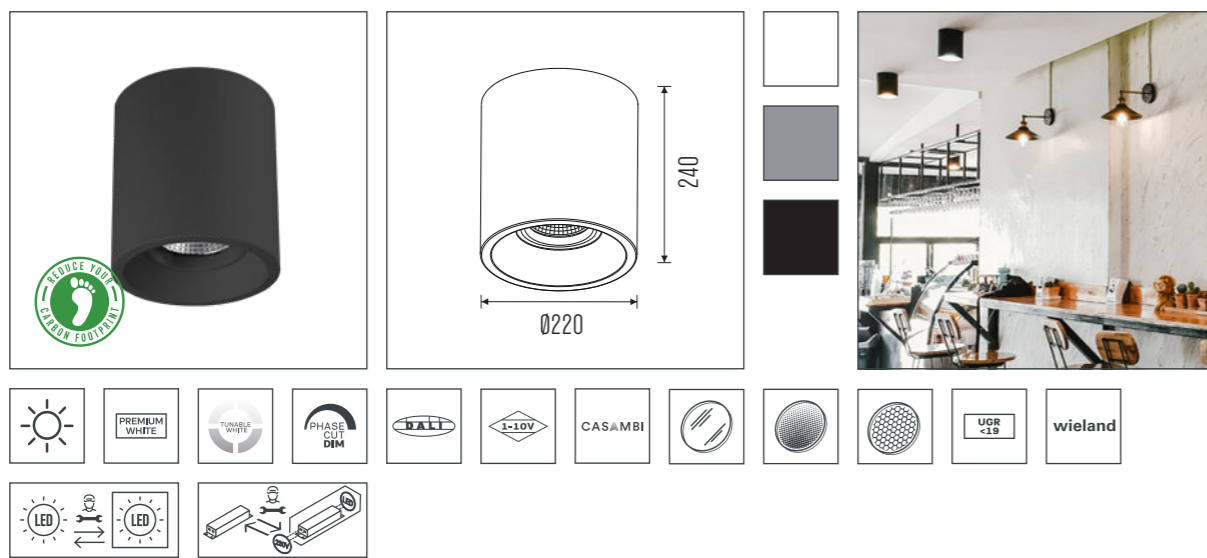


CCT [K]	: 2700K - 5700K	Optic	: Facet Anodized Aluminum
CRI [Ra]	: max. [RA] >98		: Reflector 15°, 30°, 45°, 60°
Chromaticity Tolerance	: 3	Mains Voltage [VAc]	: 220-240V / 50-60Hz
Luminous Flux [lm]	: max. 4500lm	Ambient Temperature [°C]	: 35°C
System Power [W]	: max. 38.5W	Ingress Protection [IP]	: IP20
System Efficiency [lm/W]	: max. 137lm/W	Net Weight [kg]	: 1.70kg
Electrical Safety Class	: Class I	Warranty [Y]	: 5 years

Go to full specs



## SKADI 220 SM HE.



CCT [K]	: 2700K, 3000K, 3500K, 4000K, 3000K PW, 3500K PW, 4000K PW	Optic	: Facet Metalized Reflector
CRI [Ra]	: max. [RA] >98		: 20°, 30°, 40°, 60°
Chromaticity Tolerance	: 2	Mains Voltage [VAc]	: 220-240V / 50-60Hz
Luminous Flux [lm]	: max. 5200lm	Ambient Temperature [°C]	: 35°C
System Power [W]	: max. 40.0W	Ingress Protection [IP]	: IP20
System Efficiency [lm/W]	: max. 157lm/W	Net Weight [kg]	: 1.70kg
Electrical Safety Class	: Class I	Warranty [Y]	: 5 years

Go to full specs



#LIGHTBUILDERS | COB HIGH EFFICIENCY NEW GENERATIONS