



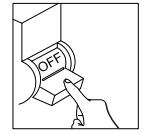
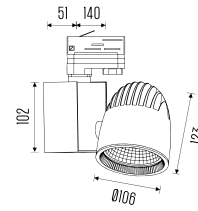
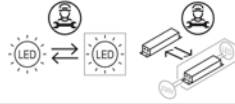
# INSTALLATION MANUAL



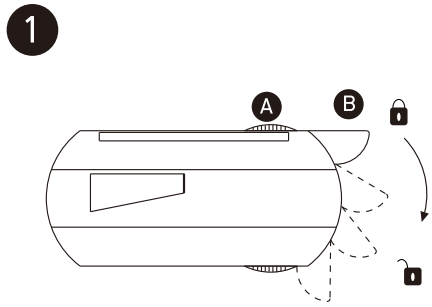
## THOR



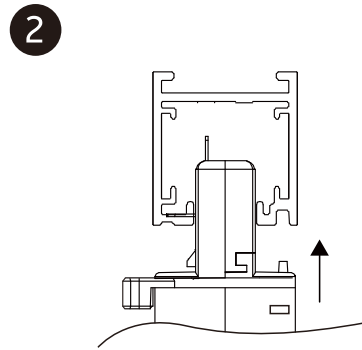
AC220-240V | 50/60Hz | IP20 | Die cast



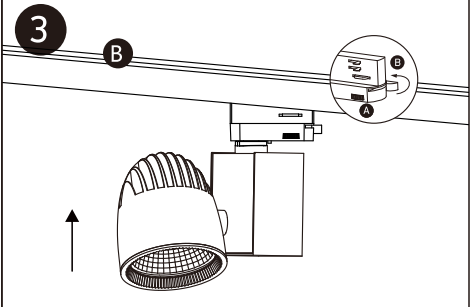
Do not operate with power supply connected.



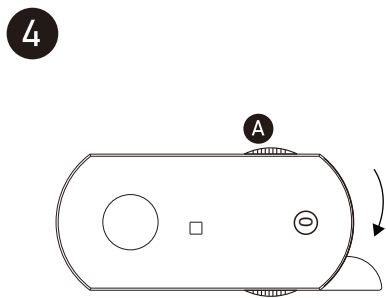
**1**  
To mount the track adaptor into the track system, first check that the selector knob **A** is at OFF position and the adaptor lock **B** is disengaged.



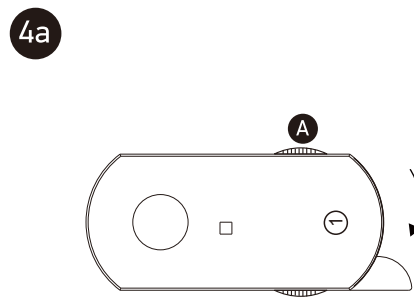
**2**  
When installing the adaptor into the track, ensure that it is orientated correctly.



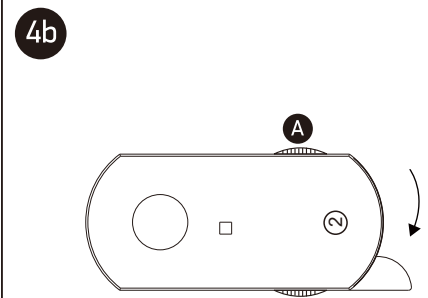
**3**  
Rotate adaptor lock **A** clockwise 90° to connect the adaptor to the neutral circuit.



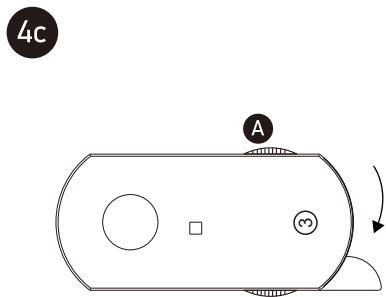
**4**  
Rotate selector knob **A** to the position of desired circuit.



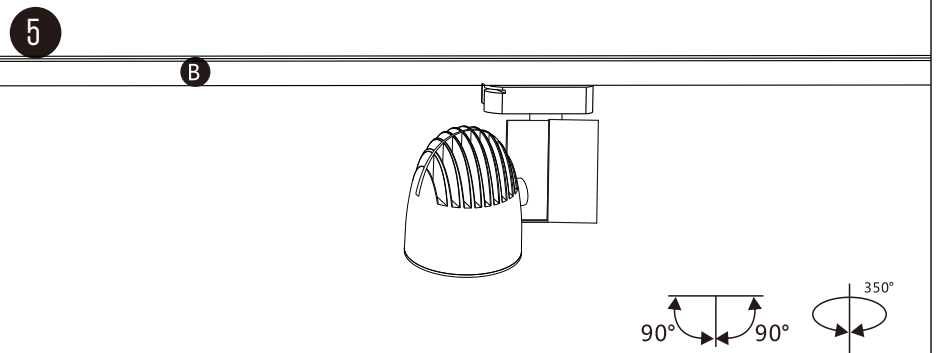
**4a**  
**Circuit 1:** Rotate the knob **A** 90° clockwise from the starting position OFF, to connect circuit 1.



**4b**  
**Circuit 2:** Rotate the knob **A** 90° anti-clockwise from the starting position OFF, to connect circuit 2.



**4c**  
**Circuit 3:** Rotate the knob **A** 180° clockwise from the starting position OFF, to connect circuit 3



**5**  
The installation is complete, support can be freely rotated 0°-350° the lamp body can be freely rotated -90°~90°.

### Warnings:

1. Make sure that the product is installed properly before connecting to electricity.
2. Do not cover the fitting.
3. Maintenance and installation should only be carried out by a professional electrician.